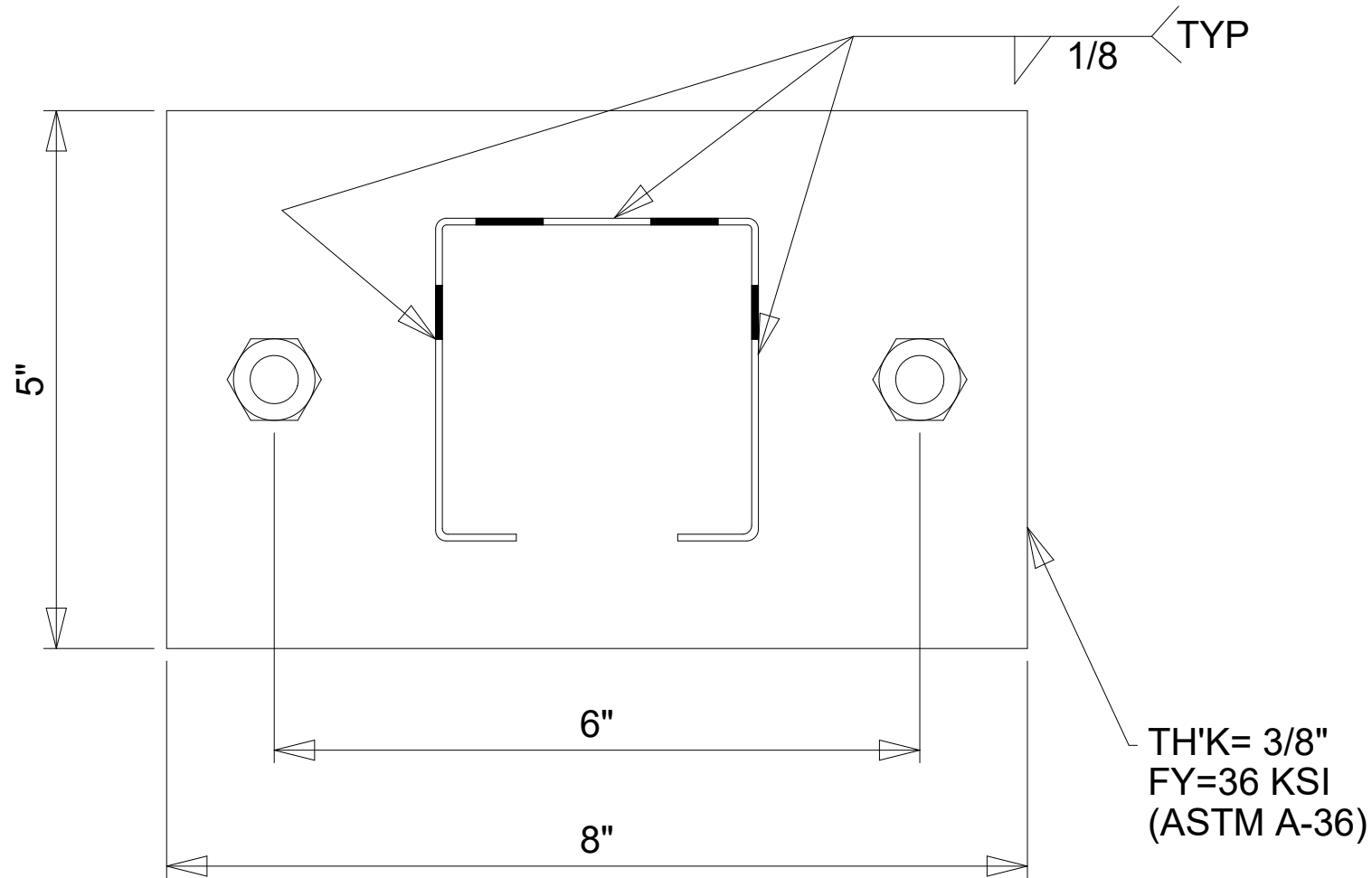


Base Plate & Slab Connection



(2) - 1/2" Ø ANCHOR BOLTS PER BASE PLATE
3 1/2" EMB.,



Signature: _____
Date: _____

2480 S. 3200 W.
West Valley City, UT 84119
Phone# (801) 974-5564
Fax# (801) 974-5558
davep@liftrucksetc.biz
www.liftrucksetc.biz